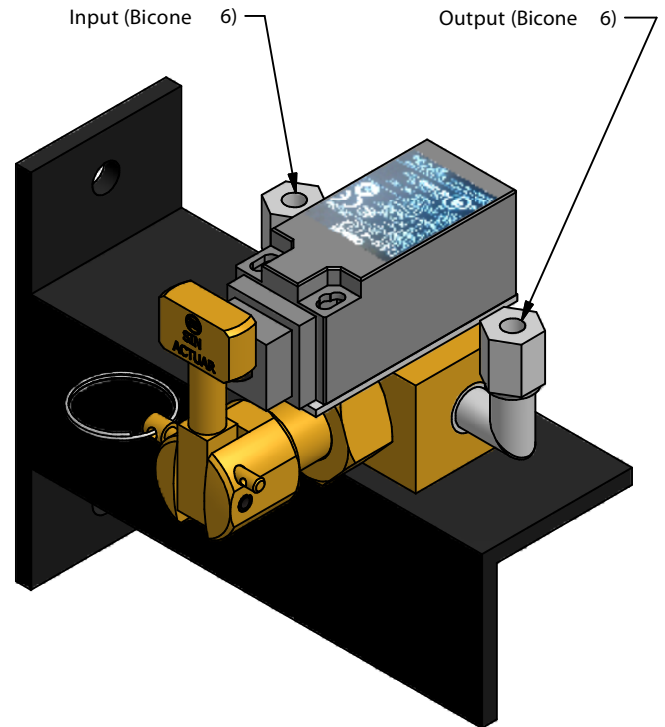
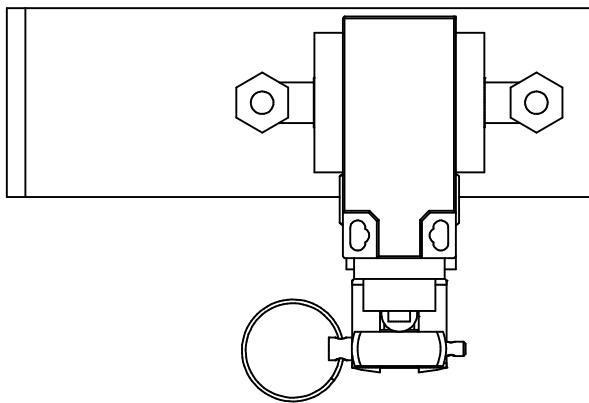
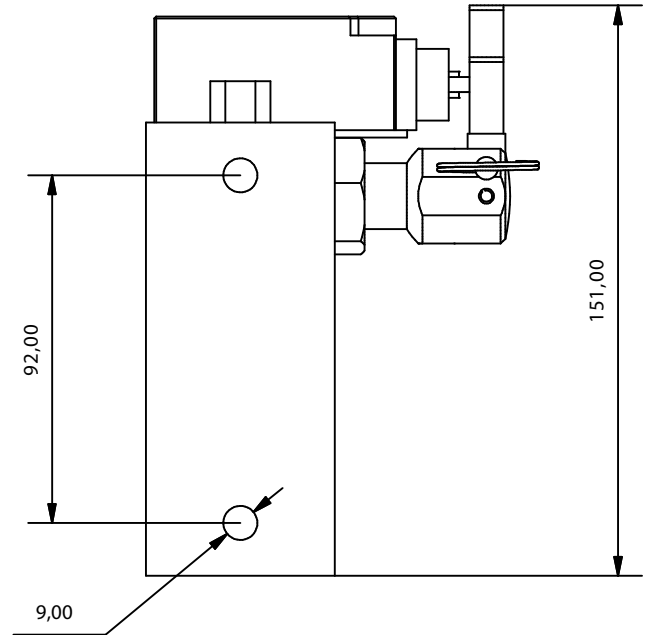
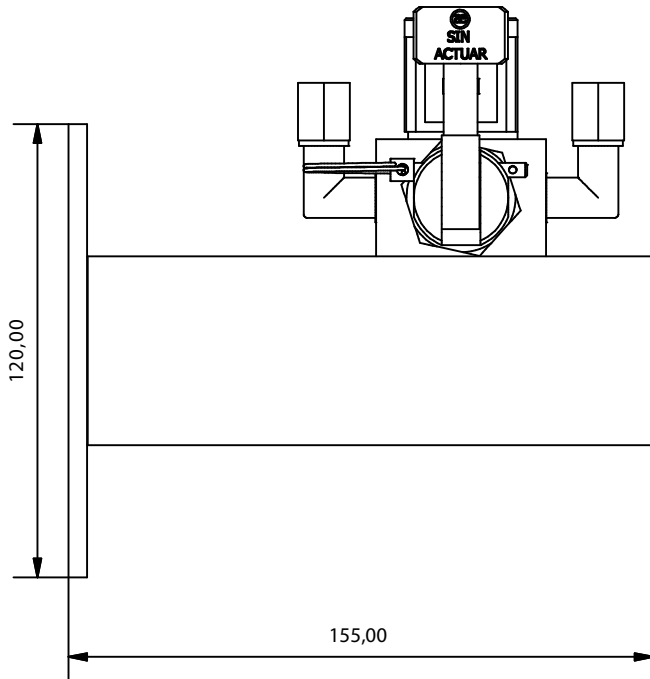


TRIP CIRCUIT DRAIN VALVE

AEX/VVD



Specifications	
Name	Value
Body material	Brass
Alternating current	3A/240VCA
Direct current	27A/250VDC
Protection	IP67
Limitations	Indoor use

Description: Element used to manually relieve the pressure of the trip circuit. It has one normally open and one normally closed contact.

Token code:	Family tab :	Reference:	Drawn:	Date:	Reviewed :	Date:	Revision:	Format:
AEX-FTC-04-056	HFC 227 ea	AEX/VVD	DCM	27/04/2016	MRC	27/04/2016	1	A4